



CRF/1 - CUPTOR DE TESTARE A REACTIVITĂȚII CO₂

The CRF/1 CO₂ reactivity test furnace complies with the Standard test method for the determination, by a loss in mass method, of the reactivity to carbon dioxide of calcined petroleum coke used in the manufacture of anodes for the production of aluminium.

The furnace conforms to the following Standards:

1. **ISO 12981-1** Carbonaceous materials used in the production of aluminium -- Calcined coke -- Determination of the reactivity to carbon dioxide -- Part 1: Loss in mass method
2. **BS 6043-2.20.1** Determination of the reactivity by a loss in mass method

The reactivity of a calcined coke to carbon dioxide is assessed by determining the loss in mass of a sample exposed in accordance with the following chemical reaction: $C + CO_2 \rightarrow 2 CO$. This determination allows an assessment of the later anode reactivity to carbon dioxide in the electrolysis cell.

Once the CRF/1 reaches the maximum operating temperature of 1000 °C an audible alarm is sounded to indicate when the sample can be loaded. The coke sample of 5 g, having a grain size of 1 mm to 1.4 mm, can then be placed into the quartz tube. An automatic mass flow meter then opens the CO₂ gas flow for approximately 100 minutes exposing the sample to a carbon dioxide stream of 50 l/h. The loss in mass is then measured.

The CRF/1 is a single zone tube furnace with good vertical temperature distribution which heats up to 1000 °C. The temperature is maintained with an accuracy of ± 1 °C. The furnace has a tube reactor with two quartz tubes and a cap with a ground glass joint. An external tube containing a gas inlet allows the gas to flow down to the bottom of the tube and be preheated before flowing up through the coke bed. Fitted inside the external tube is an inner reaction tube incorporating a porous disc so that the base of the coke bed lies in the middle of the furnace.

CARACTERISTICI STANDARD

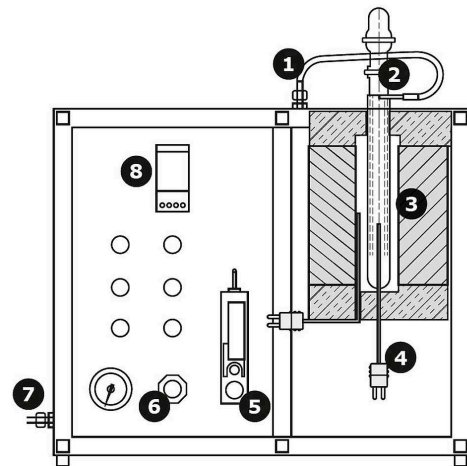
- | Maximum operating temperature 1000 °C
- | Protecție la supra-încălzire
- | Eurotherm 3508 controller
- | Single zone furnace with a heated length of 220 mm
- | Two quartz tubes
- | High grade insulation
- | Mass flow meter
- | Internal cooling chamber

CRF/1 - CUPTOR DE TESTARE A REACTIVITĂȚII CO₂

DETALII TEHNICE

Cross section of the CRF/1 CO₂ Reactivity Test Furnace

1. Gas tube
2. Quartz tube
3. Sample holder
4. Thermocouple
5. Mass flow controller
6. Gas pressure regulator
7. Gas inlet
8. Controller



Cross section of CRF/1

Supus modificărilor și erorilor tehnice

DETALII TEHNICE (MODELE)

CRF/1

Temp. max. (°C)	1000
Dimensiuni: Externe H x W x D (mm)	520 x 600 x 400
Temperature control system	Eurotherm 3508
Heated zones	1
Tip termocuplu	K
Putere max. (W)	1000

www.carbolite.com/crf